

DRM570730LT**Weidmüller Interface GmbH & Co. KG**

Klingenbergstraße 26

D-32758 Detmold

Germany

www.weidmueller.com

Product image

Individual relays within the D-SERIES DRM

- 4 CO contacts
- AC coils
- With integrated status LED and test button

General ordering data

| | |
|------------|--|
| Version | D-SERIES DRM, Relay, Number of contacts: 4, CO contact, AgNi flash gold-plated, Rated control voltage: 230 V AC, Continuous current: 5 A, Plug-in connection |
| Order No. | 7760056104 |
| Type | DRM570730LT |
| GTIN (EAN) | 4032248855605 |
| Qty. | 20 pc(s). |

Creation date July 12, 2025 1:12:47 PM CEST

Catalogue status 04.07.2025 / We reserve the right to make technical changes.

DRM570730LT

Weidmüller Interface GmbH & Co. KG

Klingenbergstraße 26

D-32758 Detmold

Germany

www.weidmueller.com

Technical data

Dimensions and weights

| | | | |
|------------|---------|-----------------|------------|
| Depth | 35.7 mm | Depth (inches) | 1.406 inch |
| Height | 27.4 mm | Height (inches) | 1.079 inch |
| Width | 21 mm | Width (inches) | 0.827 inch |
| Net weight | 33.33 g | | |

Temperatures

| | | | |
|---------------------|--|-----------------------|----------------|
| Storage temperature | -40 °C...70 °C | Operating temperature | -40 °C...55 °C |
| Humidity | 35...85 % rel. humidity, no condensation | | |

Rated data UL

| | |
|-------------------------|---------|
| Certificate No. (cURus) | E312083 |
|-------------------------|---------|

Control side

| | | | |
|-----------------------|--------------------|------------------|--------------------------------|
| Rated control voltage | 230 V AC | Rated current AC | 6.1 mA (50 Hz), 5.2 mA (60 Hz) |
| Power rating | 1.0...1.2VA (60HZ) | Coil resistance | 15000 Ω ± 10 % |
| Status indicator | red LED | | |

Load side

| | | | |
|---|---------------------------------------|---|---------------------------------------|
| Rated switching voltage | 250 V AC | Continuous current | 5 A |
| Max. switching frequency at rated load | 0.1 Hz | Inrush current | 10 A / 50 ms |
| AC switching capacity (resistive), max. | 1250 VA | DC switching capacity (resistive), max. | 120 W @ 24 V |
| Switch-on delay | < 20 ms | Switch-off delay | < 20 ms |
| Contact type | 4 CO contact (AgNi flash gold-plated) | Mechanical service life | 20 x 10 ⁶ switching cycles |
| Min. switching power | 10 mA @ 12 V, 100 mA @ 5 V | | |

General data

| | | |
|--------------------------------------|---|------------------------|
| Test button available | Yes | |
| Version of test button | Lockable test button, Momentary test button | |
| Mechanical switch position indicator | Yes | |
| Colour | Transparent | |
| UL94 flammability rating component | Component | Relay cover |
| | UL94 flammability rating | V-2 |
| | Component | Relay baseplate |
| | UL94 flammability rating | V-0 |
| | Component | Relay status indicator |
| | UL94 flammability rating | HB |
| | Component | Relay test button |
| | UL94 flammability rating | HB |

DRM570730LT

Weidmüller Interface GmbH & Co. KG

Klingenbergstraße 26

D-32758 Detmold

Germany

www.weidmueller.com

Technical data

Insulation coordination

| | | | |
|--|--------------------------------|---|-----------------------------|
| Rated voltage | 250 V | Pollution severity | 2 |
| Surge voltage category | III | Clearance and creepage distances for control side - load side | ≥ 5.5 mm |
| Dielectric strength for control side - load side | 1.8 kV _{eff} / 1 min. | Dielectric strength of neighbouring contacts | 1 kV _{eff} / 1 min |
| Dielectric strength of open contact | 1 kV _{eff} / 1 min | Impulse withstand voltage | 6 kV (1.2/50 μs) |
| Protection degree | IP20 | | |

Further details of approvals / standards

| | |
|-------------------------|---------|
| Certificate No. (cURus) | E312083 |
|-------------------------|---------|

Connection data

| | |
|------------------------|--------------------|
| Wire connection method | Plug-in connection |
|------------------------|--------------------|

Classifications

| | | | |
|-------------|-------------|-------------|-------------|
| ETIM 6.0 | EC001437 | ETIM 7.0 | EC001437 |
| ETIM 8.0 | EC001437 | ETIM 9.0 | EC001437 |
| ETIM 10.0 | EC001437 | ECLASS 9.0 | 27-37-16-01 |
| ECLASS 9.1 | 27-37-16-01 | ECLASS 10.0 | 27-37-16-01 |
| ECLASS 11.0 | 27-37-16-01 | ECLASS 12.0 | 27-37-16-01 |
| ECLASS 13.0 | 27-37-16-01 | ECLASS 14.0 | 27-37-16-01 |
| ECLASS 15.0 | 27-37-16-01 | | |

Approvals

Approvals



| | |
|-----------------|---|
| Approvals MAMID | https://mdcop.weidmueller.com/mediadelivery/rendition/900_319230/-T1z1mm-S800/ https://mdcop.weidmueller.com/mediadelivery/rendition/900_319260/-T1z1mm-S800/ |
|-----------------|---|

| | |
|-------------------------|------------|
| ROHS | Conform |
| UL File Number Search | UL Website |
| Certificate No. (cURus) | E312083 |

Environmental Product Compliance

| | |
|------------------------|-----------------------------|
| RoHS Compliance Status | Compliant without exemption |
| REACH SVHC | No SVHC above 0.1 wt% |

Downloads

| | |
|---|--|
| Approval/Certificate/Document of Conformity | EU Konformitätserklärung / EU Declaration of Conformity |
| Engineering Data | CAD data – STEP |
| Product Change Notification | 20230124 Product consolidation D-SERIES DRM relays 20230124 Produktkonsolidierung D-SERIES DRM Relais |
| User Documentation | FL_D-SERIES_DRM4CO_LOAD_GUIDE |
| Catalogues | Catalogues in PDF-format |
| Brochures | |

Creation date July 12, 2025 1:12:47 PM CEST

Catalogue status 04.07.2025 / We reserve the right to make technical changes.

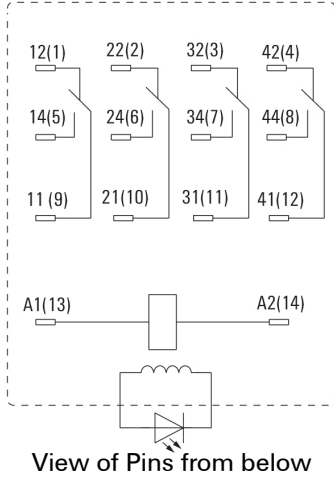
DRM570730LT

Weidmüller Interface GmbH & Co. KG
 Klingenbergstraße 26
 D-32758 Detmold
 Germany

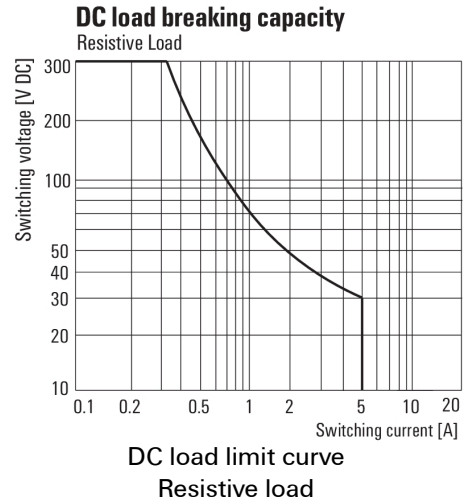
www.weidmueller.com

Drawings

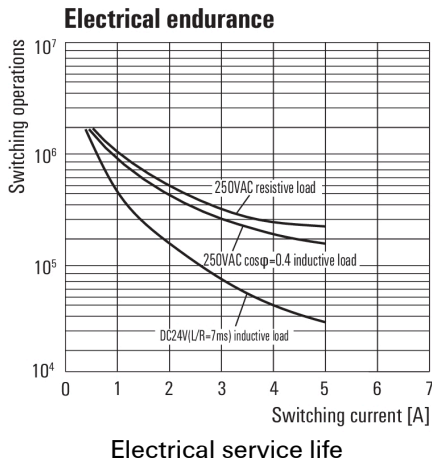
Wiring diagram



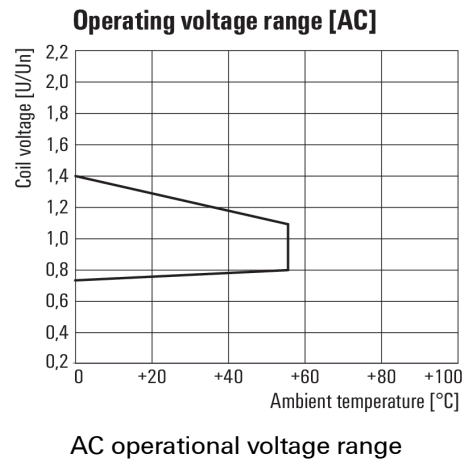
Graph



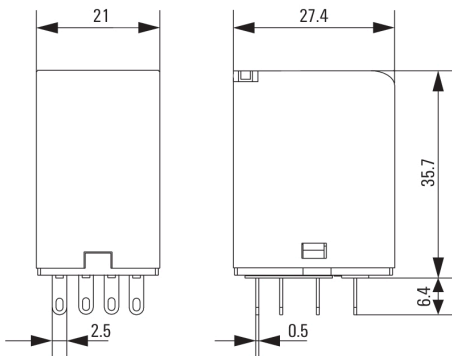
Graph



Graph



Dimensional drawing



DRM570730LT

Weidmüller Interface GmbH & Co. KG
 Klingenbergstraße 26
 D-32758 Detmold
 Germany

www.weidmueller.com

Accessories

ESG 6/17



Guaranteed long service life: ESG

The multi-colour and multi-format labels have a strong adhesive layer to ensure the best possible adhesion to the underlying surface. Double laminated polyester makes the basic material very thin and yet extremely tear-resistant.

Your benefits with MultiMark

- "Different materials for various requirements"
- Can be used with equipment from many manufacturers
- Device markers with a familiar design

General ordering data

| Type | ESG 6/17 MM WS | Version |
|------------|----------------------------|---------------------------------------|
| Order No. | 2005100000 | ESG, Device markers, 6 x 17 mm, white |
| GTIN (EAN) | 4050118390728 | |
| Qty. | 3,000 pc(s). | |

Sockets



Relay sockets for the D-SERIES DRM relays

- 2 and 4 CO contacts
- Screw and PUSH IN connection
- Standard and low heights

General ordering data

| Type | SCM 4CO P | Version |
|------------|----------------------------|---|
| Order No. | 7760056363 | D-SERIES DRM, Relay socket, Number of contacts: 4, CO contact, Continuous current: 6 A, PUSH IN |
| GTIN (EAN) | 6944169772276 | |
| Qty. | 10 pc(s). | |
| Type | SCM 4CO ECO | Version |
| Order No. | 7760056264 | D-SERIES DRM, Relay socket, Number of contacts: 4, CO contact, Continuous current: 6 A, Screw connection |
| GTIN (EAN) | 6944169662973 | |
| Qty. | 10 pc(s). | |
| Type | FS 4CO | Version |
| Order No. | 7760056107 | D-SERIES DRM, Relay socket, Number of contacts: 4, CO contact, Continuous current: 10 A, Screw connection |
| GTIN (EAN) | 4032248855575 | |
| Qty. | 10 pc(s). | |

DRM570730LT

Weidmüller Interface GmbH & Co. KG
 Klingenbergstraße 26
 D-32758 Detmold
 Germany

www.weidmueller.com

Accessories

Blank



ESG is the tried-and-tested marker in MultiCard format for use on many well-known electrical devices. The result is high-quality device marking with a high-contrast appearance.

Various types are available for devices from manufacturers like Siemens, ABB, Beckhoff etc. Advantages at a glance:

- Tags for universal usage, self-adhesive or clip-on tags, depending on type
- For aligned equipment, e.g. circuit breakers, we supply ESG markers for clipping onto tag rails
- Individual laser-quality printing according to specifications

For custom printing: Please send us a file of our labeling software M-Print PRO or M-Print PRO Online (without installation) for your labeling specifications.

General ordering data

| | | |
|------------|----------------------------|---|
| Type | ESG 6/15 K MC NE GE | Version |
| Order No. | 1880130000 | ESG, Device markers x 15 mm, PA 66, Colour: yellow, Self-adhesive |
| GTIN (EAN) | 4032248478910 | |
| Qty. | 200 pc(s). | |
| Type | ESG 6/15 K MC NE WS | Version |
| Order No. | 1880100000 | ESG, Device markers x 15 mm, PA 66, Colour: white, Self-adhesive |
| GTIN (EAN) | 4032248478781 | |
| Qty. | 200 pc(s). | |

DRM570730LT

Weidmüller Interface GmbH & Co. KG
Klingenbergstraße 26
D-32758 Detmold
Germany

www.weidmueller.com

Accessories

Blank



ESG is the tried-and-tested marker in MultiCard format for use on many well-known electrical devices. The result is high-quality device marking with a high-contrast appearance.

Various types are available for devices from manufacturers like Siemens, ABB, Beckhoff etc. Advantages at a glance:

- Tags for universal usage, self-adhesive or clip-on tags, depending on type
- For aligned equipment, e.g. circuit breakers, we supply ESG markers for clipping onto tag rails
- Individual laser-quality printing according to specifications

For custom printing: Please send us a file of our labeling software M-Print PRO or M-Print PRO Online (without installation) for your labeling specifications.

General ordering data

| | | |
|------------|----------------------------|--|
| Type | ESG 6/17 K MC NE WS | Version |
| Order No. | 1880120000 | ESG, Device markers x 17 mm, PA 66, Colour: white, Self-adhesive |
| GTIN (EAN) | 4032248478804 | |
| Qty. | 200 pc(s). | |

| | | |
|------------|----------------------------|---|
| Type | ESG 6/17 K MC NE GE | Version |
| Order No. | 1880110000 | ESG, Device markers x 17 mm, PA 66, Colour: yellow, Self-adhesive |
| GTIN (EAN) | 4032248478798 | |
| Qty. | 200 pc(s). | |

Retaining clips



Retaining clip for D-SERIES DRM relays

- Metal and plastic retaining clip

General ordering data

| | | |
|------------|----------------------------|--------------------------|
| Type | DRM/DRL CLIP M | Version |
| Order No. | 7760056108 | D-SERIES, Retaining clip |
| GTIN (EAN) | 4032248855568 | |
| Qty. | 10 pc(s). | |

| | | |
|------------|----------------------------|------------------------------|
| Type | SCM CLIP P | Version |
| Order No. | 7760056367 | D-SERIES DRM, Retaining clip |
| GTIN (EAN) | 6944169773334 | |
| Qty. | 5 pc(s). | |

DRM570730LT

Weidmüller Interface GmbH & Co. KG
Klingenbergstraße 26
D-32758 Detmold
Germany

www.weidmueller.com

Accessories

Protection modules



Pluggable protective modules for the D-SERIES relay sockets, with optional protective functions.

- With free-wheeling diode or RC filter

General ordering data

| | | |
|------------|----------------------------|--|
| Type | RIM 3 110/230VAC | Version |
| Order No. | 7760056014 | D-SERIES, RC filter, Rated control voltage: 110...230 V AC, Plug-in connection |
| GTIN (EAN) | 4032248878109 | |
| Qty. | 10 pc(s). | |

| | | |
|------------|----------------------------|--|
| Type | RIM 3 110/230VAC LED | Version |
| Order No. | 7760056045 | D-SERIES, RC filter, Rated control voltage: 110...230 V AC, Plug-in connection |
| GTIN (EAN) | 4032248878147 | |
| Qty. | 10 pc(s). | |

ESG 6/15

**Guaranteed long service life: ESG**

The multi-colour and multi-format labels have a strong adhesive layer to ensure the best possible adhesion to the underlying surface. Double laminated polyester makes the basic material very thin and yet extremely tear-resistant.

Your benefits with MultiMark

- "Different materials for various requirements"
- Can be used with equipment from many manufacturers
- Device markers with a familiar design

General ordering data

| | | |
|------------|----------------------------|---------------------------------------|
| Type | ESG 6/15 MM WS | Version |
| Order No. | 2619940000 | ESG, Device markers, 6 x 15 mm, white |
| GTIN (EAN) | 4050118626148 | |
| Qty. | 3,000 pc(s). | |

DRM570730LT

Weidmüller Interface GmbH & Co. KG
Klingenbergstraße 26
D-32758 Detmold
Germany

www.weidmueller.com

Accessories

LED



Pluggable protective modules for the D-SERIES relay sockets, with optional protective functions.

- With green LED

General ordering data

| | | |
|------------|----------------------------|---|
| Type | RIM 3 110/230VUC | Version |
| Order No. | 7940018455 | D-SERIES, LED module, Rated control voltage: 110...230 V UC, Plug-in connection |
| GTIN (EAN) | 4032248878185 | |
| Qty. | 10 pc(s). | |

Blank



ESG is the tried-and-tested marker in MultiCard format for use on many well-known electrical devices. The result is high-quality device marking with a high-contrast appearance.

Various types are available for devices from manufacturers like Siemens, ABB, Beckhoff etc. Advantages at a glance:

- Tags for universal usage, self-adhesive or clip-on tags, depending on type
- For aligned equipment, e.g. circuit breakers, we supply ESG markers for clipping onto tag rails
- Individual laser-quality printing according to specifications

For custom printing: Please send us a file of our labeling software M-Print PRO or M-Print PRO Online (without installation) for your labeling specifications.

General ordering data

| | | |
|------------|----------------------------|---|
| Type | ESG 9/26 SCM ECO MC NE ... | Version |
| Order No. | 1521000000 | ESG, Device markers x 26 mm, PA 66, Colour: grey, pluggable |
| GTIN (EAN) | 4050118327878 | |
| Qty. | 80 pc(s). | |

| | | |
|------------|----------------------------|--|
| Type | ESG 9/26 SCM ECO MC NE ... | Version |
| Order No. | 1520980000 | ESG, Device markers x 26 mm, PA 66, Colour: white, pluggable |
| GTIN (EAN) | 4050118327939 | |
| Qty. | 80 pc(s). | |

| | | |
|------------|----------------------------|---|
| Type | ESG 9/26 SCM ECO MC NE ... | Version |
| Order No. | 1520990000 | ESG, Device markers x 26 mm, PA 66, Colour: yellow, pluggable |
| GTIN (EAN) | 4050118327861 | |
| Qty. | 80 pc(s). | |

DRM570730LT

Weidmüller Interface GmbH & Co. KG
 Klingenbergstraße 26
 D-32758 Detmold
 Germany

www.weidmueller.com

Accessories

Custom printing



ESG is the tried-and-tested marker in MultiCard format for use on many well-known electrical devices. The result is high-quality device marking with a high-contrast appearance.

Various types are available for devices from manufacturers like Siemens, ABB, Beckhoff etc. Advantages at a glance:

- Tags for universal usage, self-adhesive or clip-on tags, depending on type
- For aligned equipment, e.g. circuit breakers, we supply ESG markers for clipping onto tag rails
- Individual laser-quality printing according to specifications

For custom printing: Please send us a file of our labeling software M-Print PRO or M-Print PRO Online (without installation) for your labeling specifications.

General ordering data

| | | |
|------------|----------------------------|---|
| Type | ESG 9/26 SCM ECO MC SDR | Version |
| Order No. | 1525800000 | ESG, Device markers x 26 mm, PA 66, Colour: To customer |
| GTIN (EAN) | 4050118331875 | specification, pluggable |
| Qty. | 16 pc(s). | |

Data sheet

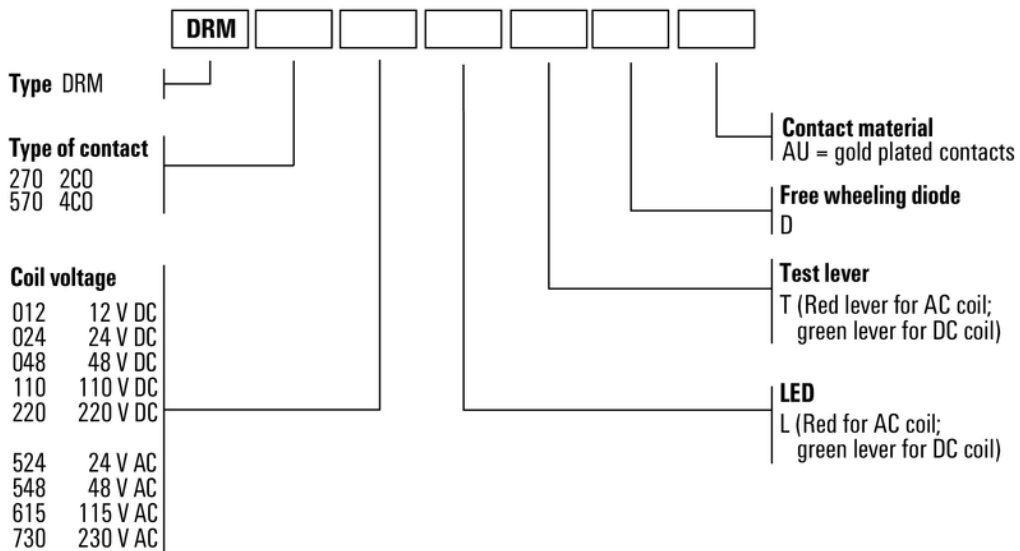
DRM570730LT

Weidmüller Interface GmbH & Co. KG
 Klingenbergstraße 26
 D-32758 Detmold
 Germany

www.weidmueller.com

Drawings

Miscellaneous



Type codes